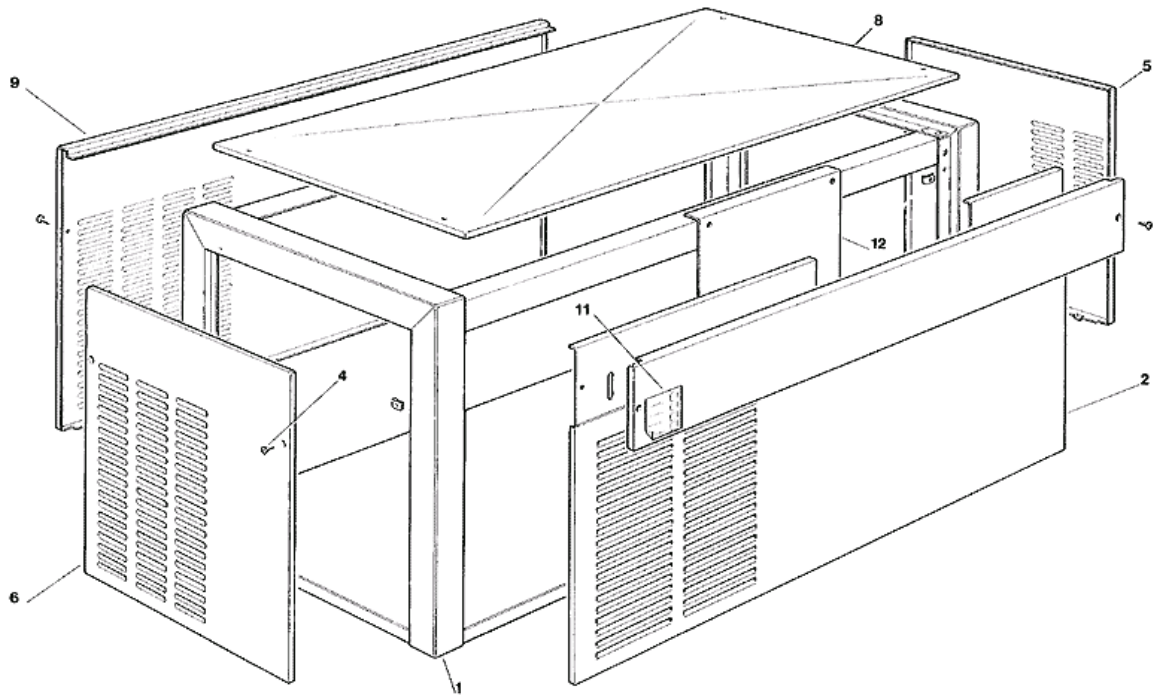


- 1 - UNIT PANELS
- 2 - REFRIGERANT SYSTEM AIR COOLED
- 3 - REFRIGERANT SYSTEM AIR COOLED - from S.N. 22447
- 4 - REFRIGERANT SYSTEM WATER COOLED
- 5 - REFRIGERANT SYSTEM WATER COOLED - from S.N. 22447
- 6 - WATER SYSTEM - MC 45
- 7 - P.C. BOARD AND SENSOR ASSY (up to S.N. 021961)
- 8 - P.C. BOARD AND SENSOR ASSY (from S.N. 021962)

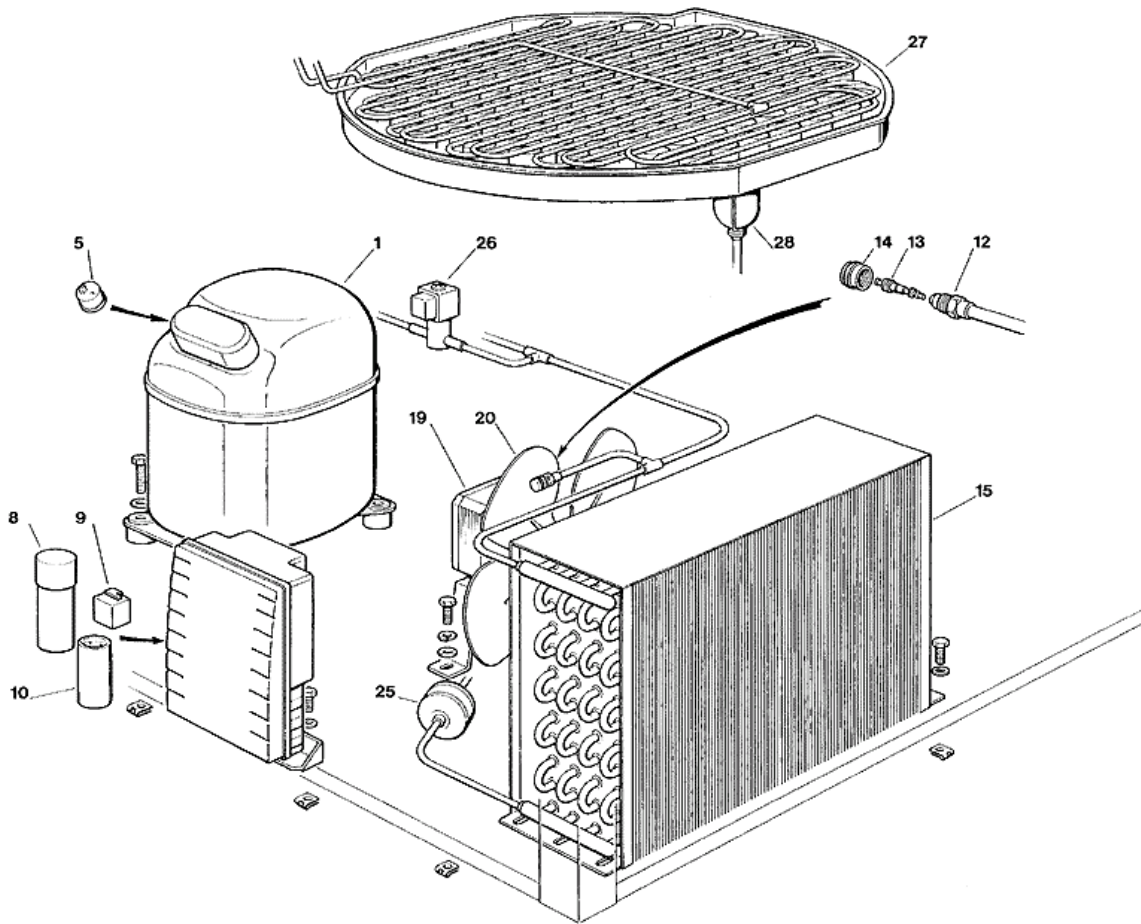
1 - UNIT PANELS





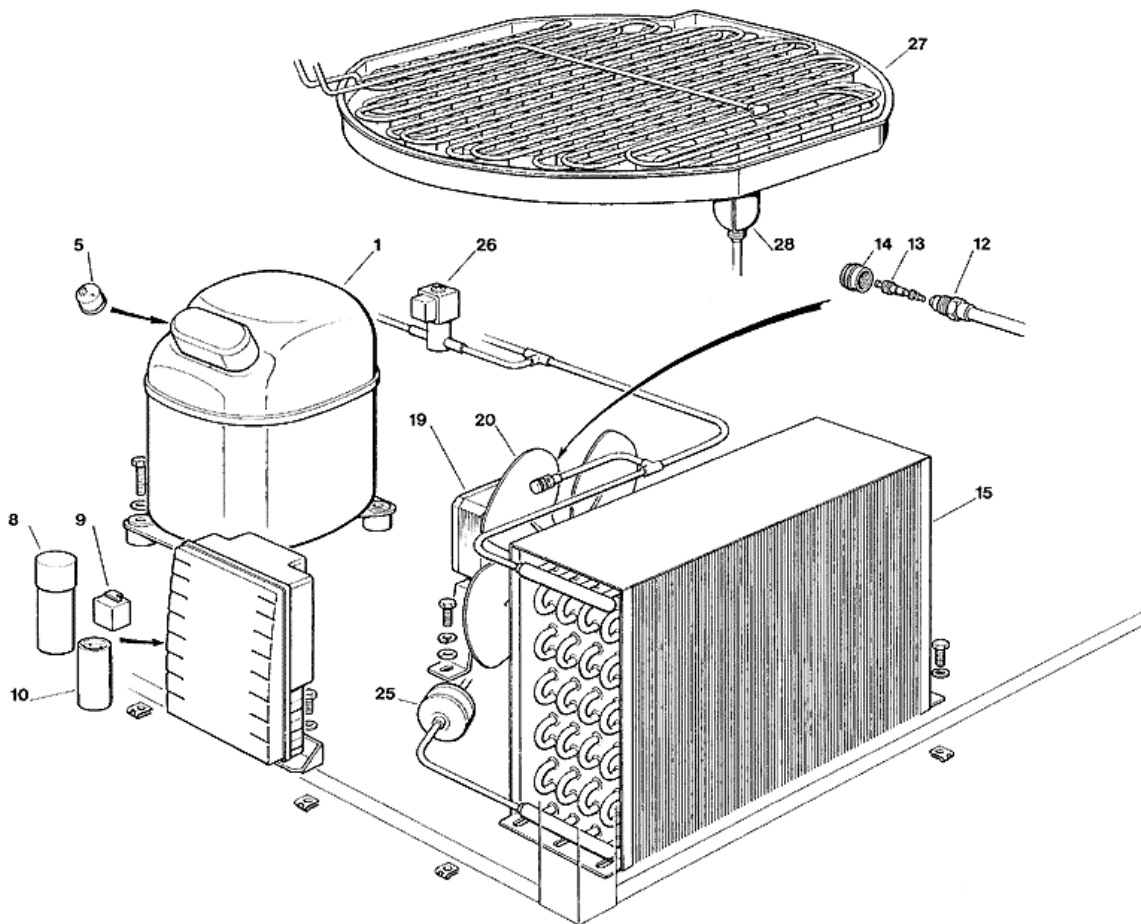
1 - UNIT PANELS

POSITION	CODE	DESCRIPTION
0000	660614 00	SCOTSMAN LOGO
0001	791045 11R	FRAME ASSY
0002	702170 05	FRONT PNEL
0005	701857 06	RIGHT SIDE PANEL
0006	701856 04	LEFT SIDE PANEL
0008	701995 01	TOP PANEL S.S.
0009	701996 06	REAR PANEL
0011	650624 10	MONITORING LED ASSY
0012	704254 02	BRACKET



2 - REFRIGERANT SYSTEM AIR COOLED

POSITION	CODE	DESCRIPTION
0001	670098 00	COMPRESSOR - 400/50/3
0001	670098 01	COMPRESSOR - 230/50/1
0001	670098 02	COMPRESSOR 230/60/1
0008	620167 54	CAPACITOR - 35 MFD/450V
0009	620057 43	RELAY - 230/50
0009	620057 55	RELAY - 230/60
0010	620167 48	CAPACITOR - 156 MFD/330V
0012	650109 00	VALVE BODY
0013	670012 00	VALVE CORE
0014	650106 00	CAP
0015	620437 00	AIR COOLED CONDENSER
0019	620419 04	FAN MOTOR - 230/50-60
0019	620419 65	FAN MOTOR BRACKET
0020	620419 34	FAN BLADE
0025	670006 01	FILTER
0026	620306 07	HOT GAS VALVE BODY
0026	620306 48	COIL - 230/50-60
0027	784434 02	EVAPORATOR ASSY - LARGE
0027	784435 04	EVAPORATOR ASSY - MEDIUM
0027	784436 01	EVAPORATOR ASSY - SMALL
0027	784597 00	EVAPORATOR XL
0028	784440 04	SUCTION LINE

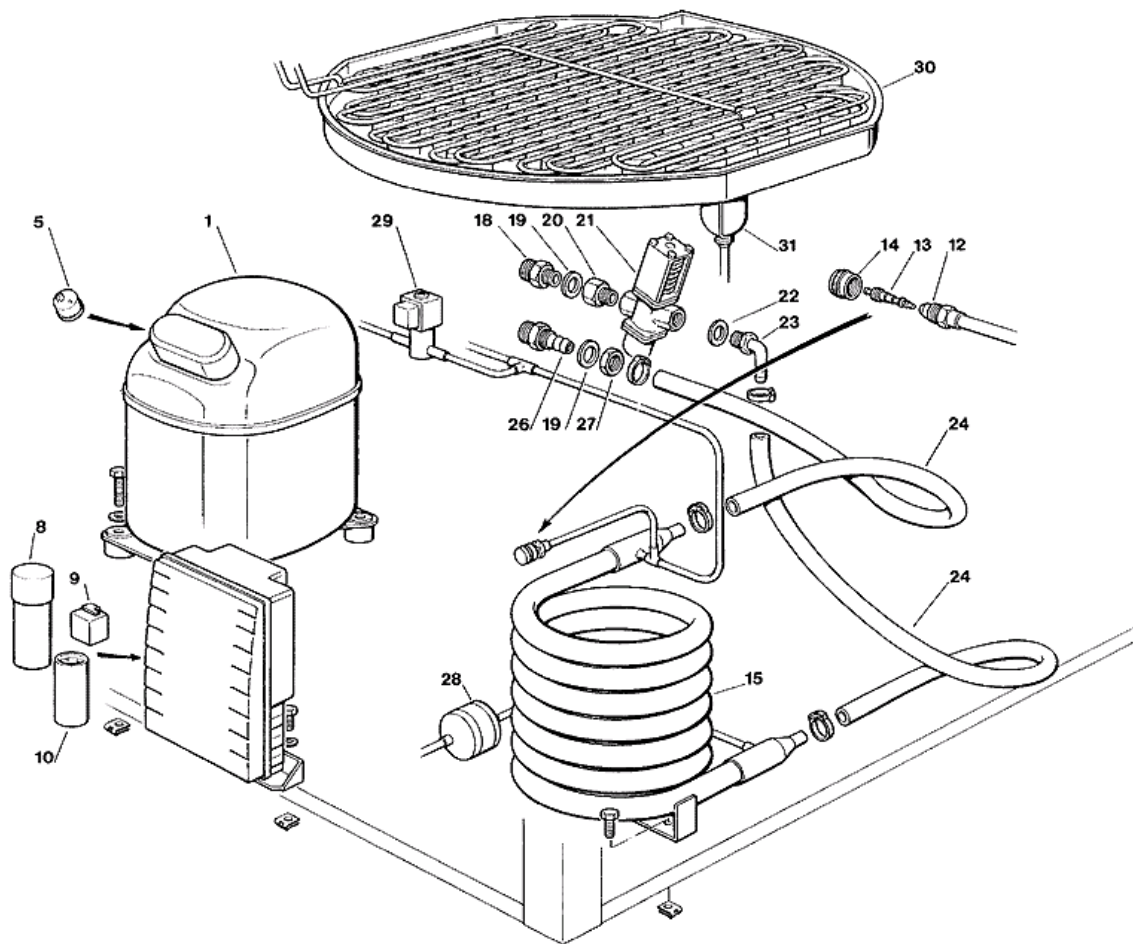




Scotsman[®] 3 - REFRIGERANT SYSTEM AIR COOLED - from S.N. 22447

POSITION	CODE	DESCRIPTION
0001	18008749 22	COMPRESSOR 230/60
0001	670098 00	COMPRESSOR - 400/50/3
0001	670098 01	COMPRESSOR - 230/50/1
0008	18001902 55	CAPACITOR 230/60
0008	620167 54	CAPACITOR - 35 MFD/450V
0009	18001903 46	RELAY 230/60
0009	620057 43	RELAY - 230/50
0010	620167 48	CAPACITOR - 156 MFD/330V
0012	650109 00	VALVE BODY
0013	670012 00	VALVE CORE
0014	650106 00	CAP
0015	620437 00	AIR COOLED CONDENSER
0019	620419 04	FAN MOTOR - 230/50-60
0019	620419 65	FAN MOTOR BRACKET
0020	620419 34	FAN BLADE
0025	670006 01	FILTER
0026	620306 46	HOT GAS VALVE BODY
0026	620306 48	COIL - 230/50-60
0027	784434 02	EVAPORATOR ASSY - LARGE
0027	784435 04	EVAPORATOR ASSY - MEDIUM
0027	784436 01	EVAPORATOR ASSY - SMALL
0027	784597 00	EVAPORATOR XL
0028	784440 04	SUCTION LINE

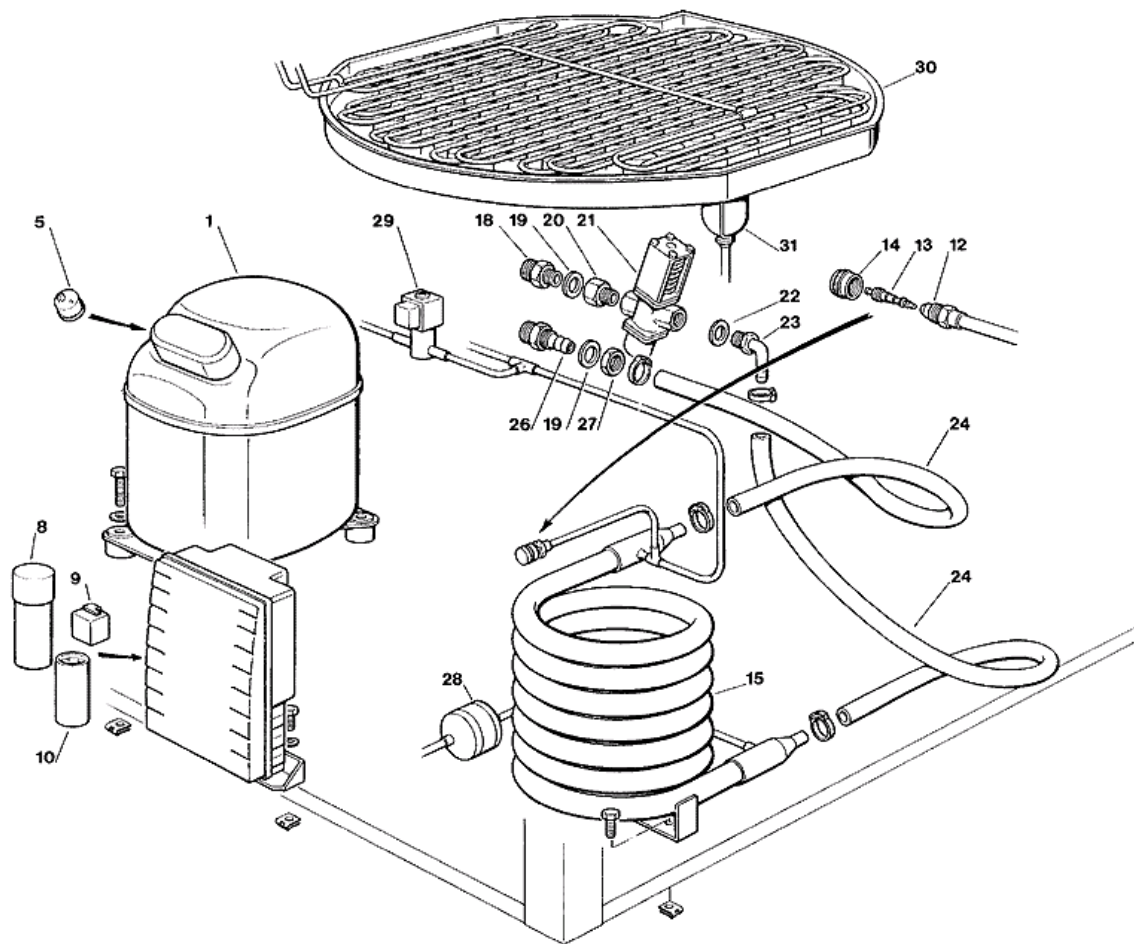
4 - REFRIGERANT SYSTEM WATER COOLED





4 - REFRIGERANT SYSTEM WATER COOLED

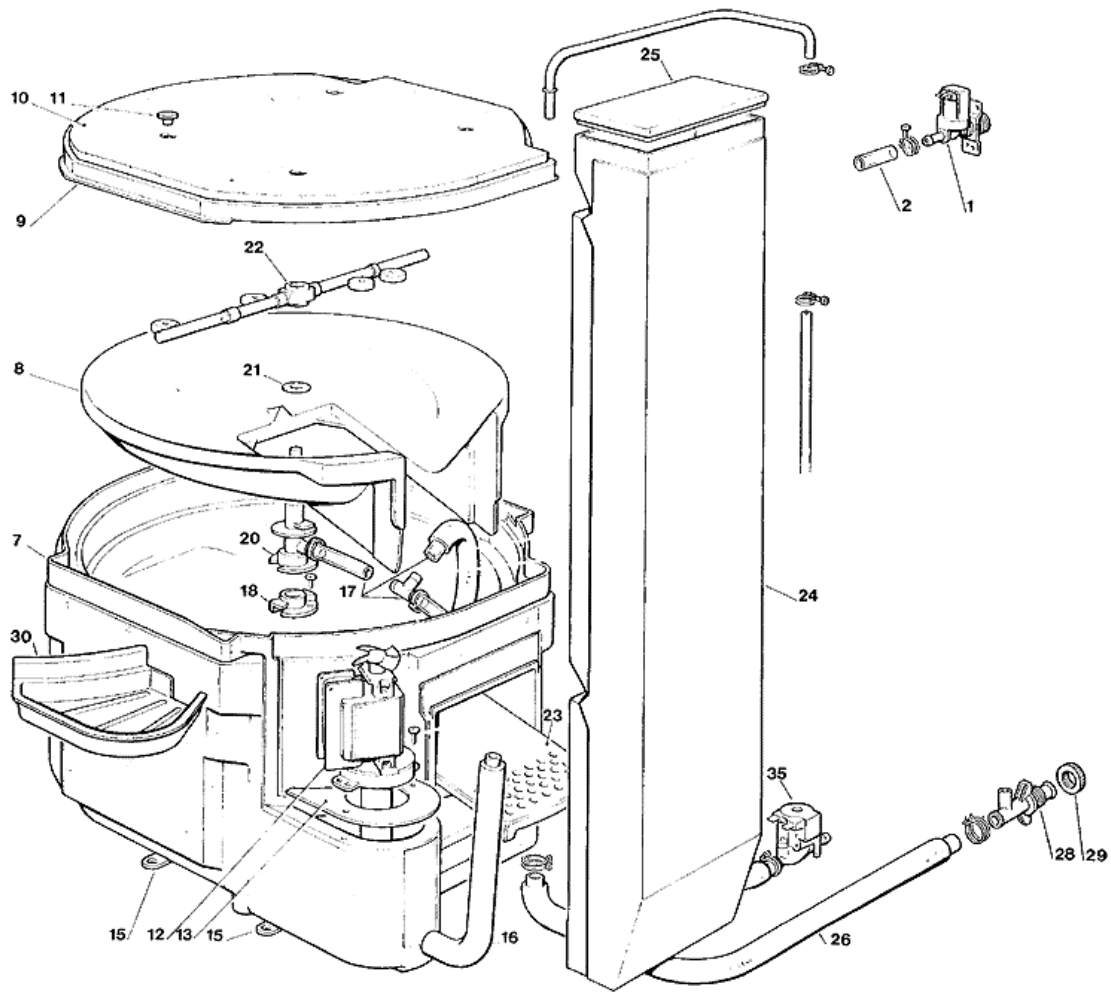
POSITION	CODE	DESCRIPTION
0001	670098 00	COMPRESSOR - 400/50/3
0001	670098 01	COMPRESSOR - 230/50/1
0001	670098 02	COMPRESSOR 230/60/1
0008	620167 54	CAPACITOR - 35 MFD/450V
0009	620057 43	RELAY - 230/50
0009	620057 55	RELAY - 230/60
0010	620167 48	CAPACITOR - 156 MFD/330V
0012	650109 00	VALVE BODY
0013	670012 00	VALVE CORE
0014	650106 00	CAP
0015	620331 02	CONDENSER
0018	733204 00	WATER INLET FITTING
0019	400031 01	WASHER
0020	650575 00	FITTING
0021	620111 00	WATER REGUL. VALVE
0022	640076 15	WASHER
0023	650623 00	FITTING
0024	281900 03	TUBE 18X12
0026	733174 00	FITTING
0027	400076 00	NUT
0028	670006 01	FILTER
0029	620306 07	HOT GAS VALVE BODY
0029	620306 48	COIL - 230/50-60
0030	784434 02	EVAPORATOR ASSY - LARGE
0030	784435 04	EVAPORATOR ASSY - MEDIUM
0030	784436 01	EVAPORATOR ASSY - SMALL
0030	784597 00	EVAPORATOR XL
0031	784440 04	SUCTION LINE



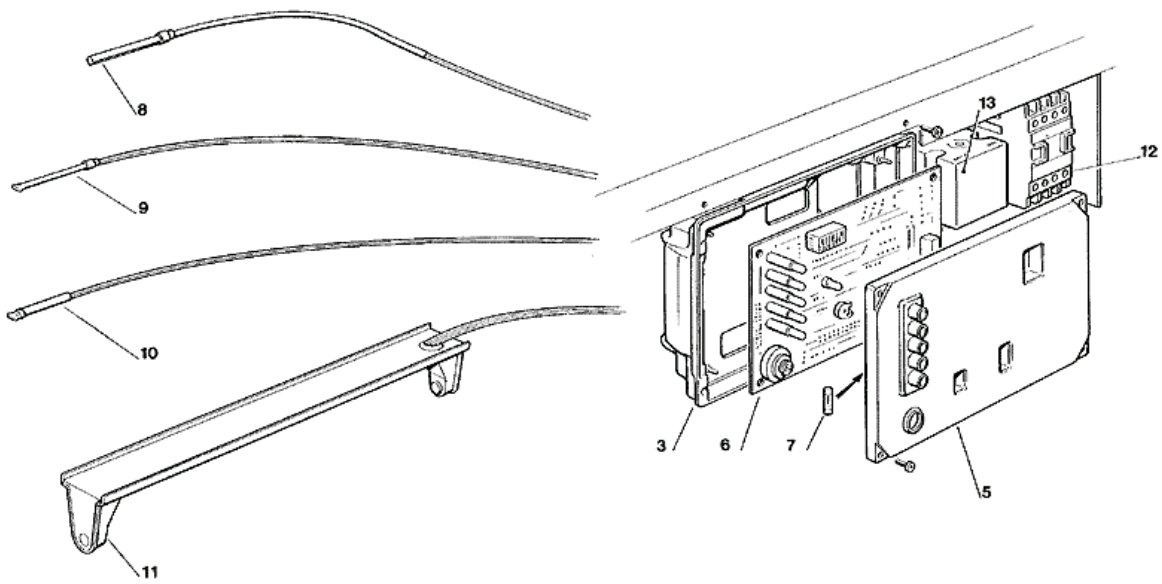


5 - REFRIGERANT SYSTEM WATER COOLED - from S.N. 22447

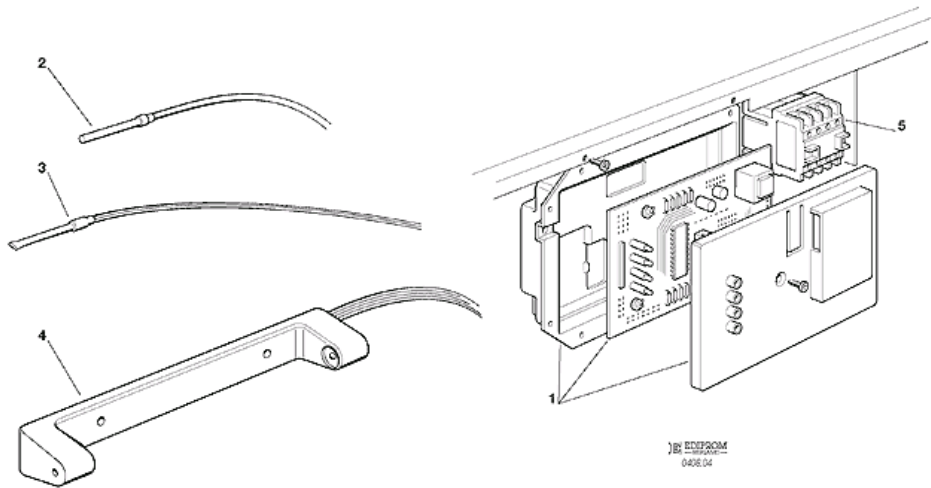
POSITION	CODE	DESCRIPTION
0001	18008749 22	COMPRESSOR 230/60
0001	670098 00	COMPRESSOR - 400/50/3
0001	670098 01	COMPRESSOR - 230/50/1
0008	18001902 55	CAPACITOR 230/60
0008	620167 54	CAPACITOR - 35 MFD/450V
0009	18001903 46	RELAY 230/60
0009	620057 43	RELAY - 230/50
0010	620167 48	CAPACITOR - 156 MFD/330V
0012	650109 00	VALVE BODY
0013	670012 00	VALVE CORE
0014	650106 00	CAP
0015	620331 02	CONDENSER
0018	733204 00	WATER INLET FITTING
0019	400031 01	WASHER
0020	650575 00	FITTING
0021	620111 00	WATER REGUL. VALVE
0022	640076 15	WASHER
0023	650623 00	FITTING
0024	281900 03	TUBE 18X12
0026	733174 00	FITTING
0027	400076 00	NUT
0028	670006 01	FILTER
0029	620306 46	HOT GAS VALVE BODY
0029	620306 48	COIL - 230/50-60
0030	784434 02	EVAPORATOR ASSY - LARGE
0030	784435 04	EVAPORATOR ASSY - MEDIUM
0030	784436 01	EVAPORATOR ASSY - SMALL
0030	784597 00	EVAPORATOR XL
0031	784440 04	SUCTION LINE



POSITION	CODE	DESCRIPTION
0001	650105 53	WATER SOL. VALVE
0001	650105 57	WATER INLET VALVE XL
0002	281900 04	TUBE
0007	784344 00R	EVAPORATOR ASSY
0008	660487 00	INNER BOTTOM
0009	660491 00	EVAPORATOR COVER
0010	650538 00	INSULATION
0011	660419 00	PLASTIC PLUG
0012	620430 00	WATER PUMP 230/50
0012	620430 02	WATER PUMP 230/60
0013	723132 03	S.S. PUMP BRACKET
0015	660489 00	BRACKET
0016	610148 10	TUBE
0017	610188 00	TUBE
0018	660483 00	PLASTIC FLANGE
0020	660475 00	BEARING
0021	440013 06	TRUST WASHER
0022	793127 00	SPRAY BAR
0023	660488 00	MOBILE BOTTOM
0024	660477 01	ICE CHUTE
0025	660477 02	CHUTE COVER
0026	610167 00	TUBE
0028	660224 00	TEE TUBE
0029	660535 00	PLASTIC NUT
0030	660538 00	CARTER PUMP
0035	620460 00	WATER DRAIN VALVE



POSITION	CODE	DESCRIPTION
0005	660547 01	CONTROL BOX COVER
0006	620403 14	P.C. BOARD
0006	620403 18	P.C. BOARD
0007	630015 09	FUSE 100MA 250V
0007	630015 10	FUSE 16A 250V
0008	620404 10	EVAPORATOR SENSOR
0009	620404 11	CONDENSER SENSOR
0010	620404 02	AMBIENT SENSOR
0011	650674 00	ICE LEVEL CONTROL
0012	630124 05	CONTACTOR
0013	620387 05	TIMER



POSITION	CODE	DESCRIPTION
0001	620462 00	PC BOARD ASSY - 230/50-60
0002	620404 10	EVAPORATOR SENSOR
0003	620404 11	CONDENSER SENSOR
0004	650674 00	ICE LEVEL CONTROL
0005	630124 05	CONTACTOR