

MXG 637 XSafe

Modular Ice Machine 300 kg

Item #:

Project:

Quantity:



FEATURES

- Individual transparent solid cube: each single cube is an artwork: crystal clear and perfectly shaped, faithful to the Scotsman tradition.
- Global standard footprint: strictly follows international imperial standard commonly adopted in the industry of reference.
- Electronic control: ambient and water temperatures may change throughout the years but your ice will stay the same.
- External indicator lights: keeps ice maker's operations under constant surveillance.
- Front access condenser air filter: a do-it-yourself cleaning operation that saves time and money and makes your ice maker live longer.
- Clean alert: advises with a blink when it's time to clean the filter.
- XSafe: natural sanitation system, integrated inside the ice maker and operating automatically 24/7 to keep equipment clean & safe.



MXG M 637
Medium Gourmet 20 g
Ø 30 x H 34 mm

CONDENSING SYSTEM

Air cooled

REFRIGERANT GAS

R290

VOLTAGE V/Hz/ph

230/50/1

RECOMMENDED BINS

Head	Bins		kg
MXG 637	✓	SB393	181
	✓	SB530	243
	BINTOPMXGSB55	SB550	252
	CBT48EAMCD	SB948	406
	CBT52EAMCD	SB1025	478
	●	UBH1600	812
●	SIS1350	613 + 73 + 73	

LEGEND:

- ✓ : Perfect combination between ice maker and bin
- : Ice chute cut-out performed upon installation
- CBTxxxxxxxx : need additional bin top

CERTIFICATIONS



OPERATING REQUIREMENTS

	Minimum	Maximum
Air temperature	10	43
Water temperature	5	38
Water pressure	1 bar (14 psi)	5 bar (70 psi)
Electrical voltage	-10%	+10%

IMPORTANT NOTICE:

Models and specifications are subject to change without notice.
This spec sheet is meant for commercial purpose only.
For technical documentation please refer to our service manuals.

www.scotsman-ice.it
www.scotsman-ice.com

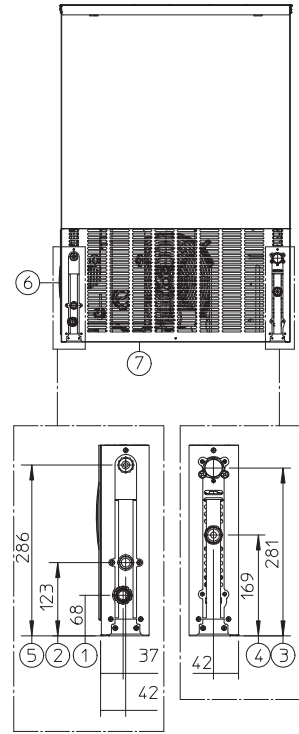
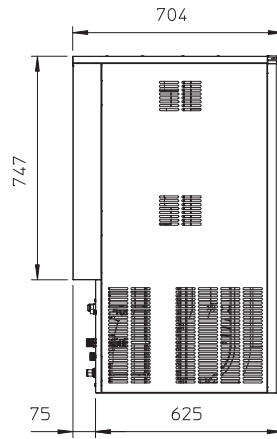
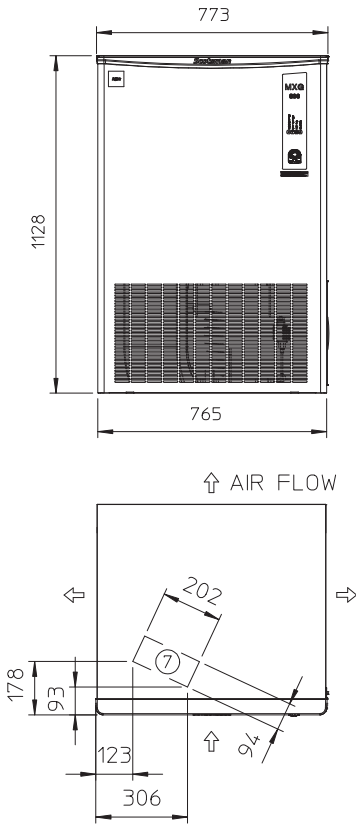
Modular Ice Machine 300 kg

MXG 637 *XSafe*

Modular Ice Machine 300 kg

Item #:
Project:
Quantity:

Modular Ice Machine 300 kg



UNIT OF MEASUREMENT: mm

1. 13/16" OD - OVERFLOW DRAIN
2. 3/4" GAS - WATER INLET
3. 3/4" GAS - WATER OUTLET
WATER COOLED UNIT ONLY
4. 3/4" GAS - WATER INLET
WATER COOLED UNIT ONLY
5. CORD SET
6. CLEANING AIR FILTER
7. ICE DROP AREA

UNIT DATA		SHIPPING DATA		(*) Data refer to 32°C Amb./ 21°C Water temperature conditions									
Size (W x D x H)	773 x 704 x 1128 mm	Carton (W x D x H)	830 x 770 x 1320 mm	Instant power	Compressor	Circuit wires	Max. fuse size	24 h ice production kg °C Amb./ °C Water			Energy consumption (*)		Water usage (*)
Net weight	116 kg	Weight	129 kg					10°C/10°C	21°C/10°C	32°C/21°C	kWh/100 kg	kWh/24h	
Version	Voltage	kg	kg	kg	W	W	No. x Ømm ²	A					
MXGM 637 AS	230/50/1	300	275	215	22.1	47	32,1	2500	1872	3 x 2.5	16		